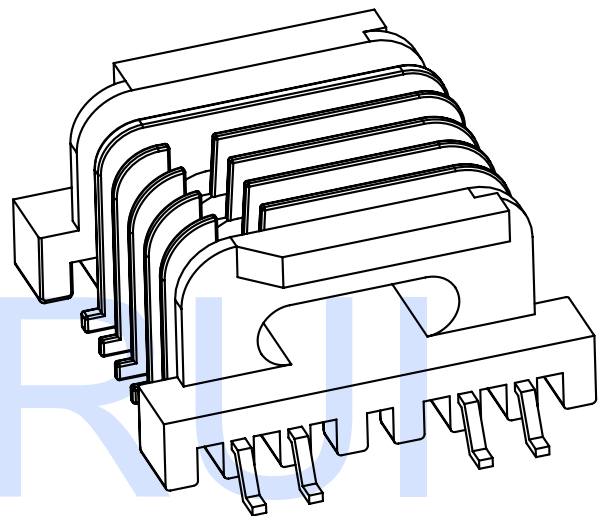
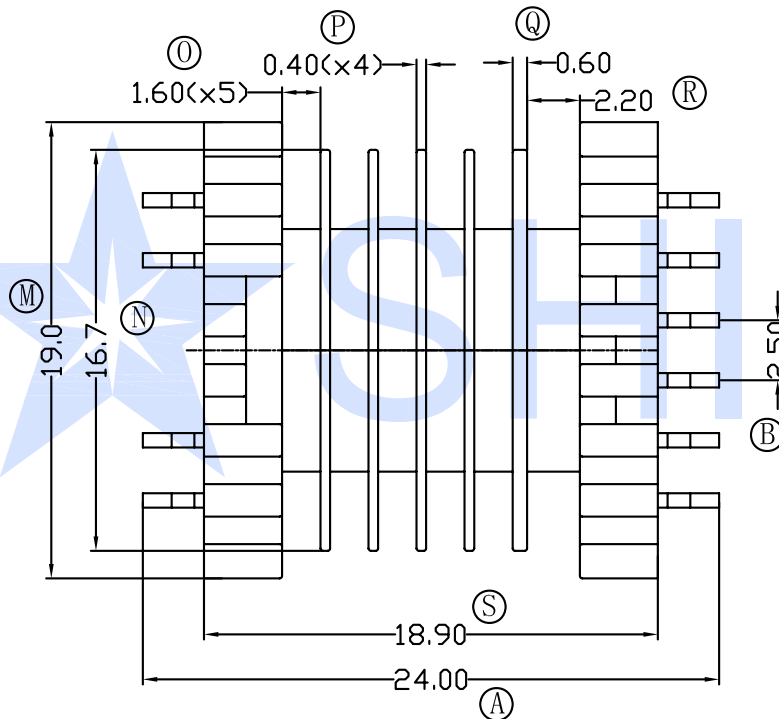
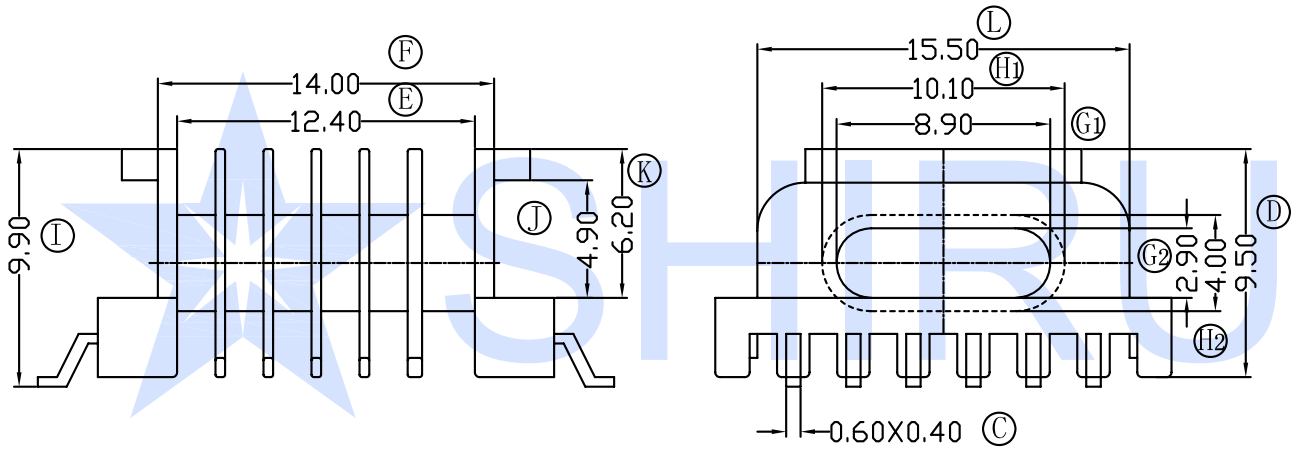
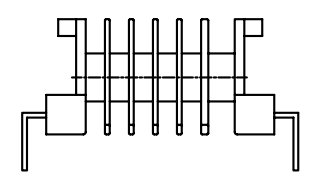


P/N
SR-SMD EPC1903



SR-SMD EPC1903-1



Hefei Shirui Electronic Technology Co.,Ltd

TEL: (0086) 55165232650 sales@shiruitech.com www.shiruitech.com

SR NO. SR-SMD EPC1903	MATERIAL: LCP-E4008	UNIT: mm	TOLERANCE	DRN.	WILL H
MODEL NAME! SMD-EPC19-6S	UL REC: UL 94V-0		0 L 4 ±0.10	CHD.	IRINA LEE
	ANGLE: ±°		4 L 16 ±0.20	ISSD.	JAMES HU
	SCALE 1:1		16 L 64 ±0.30		
			PIN PITCH ±0.05		